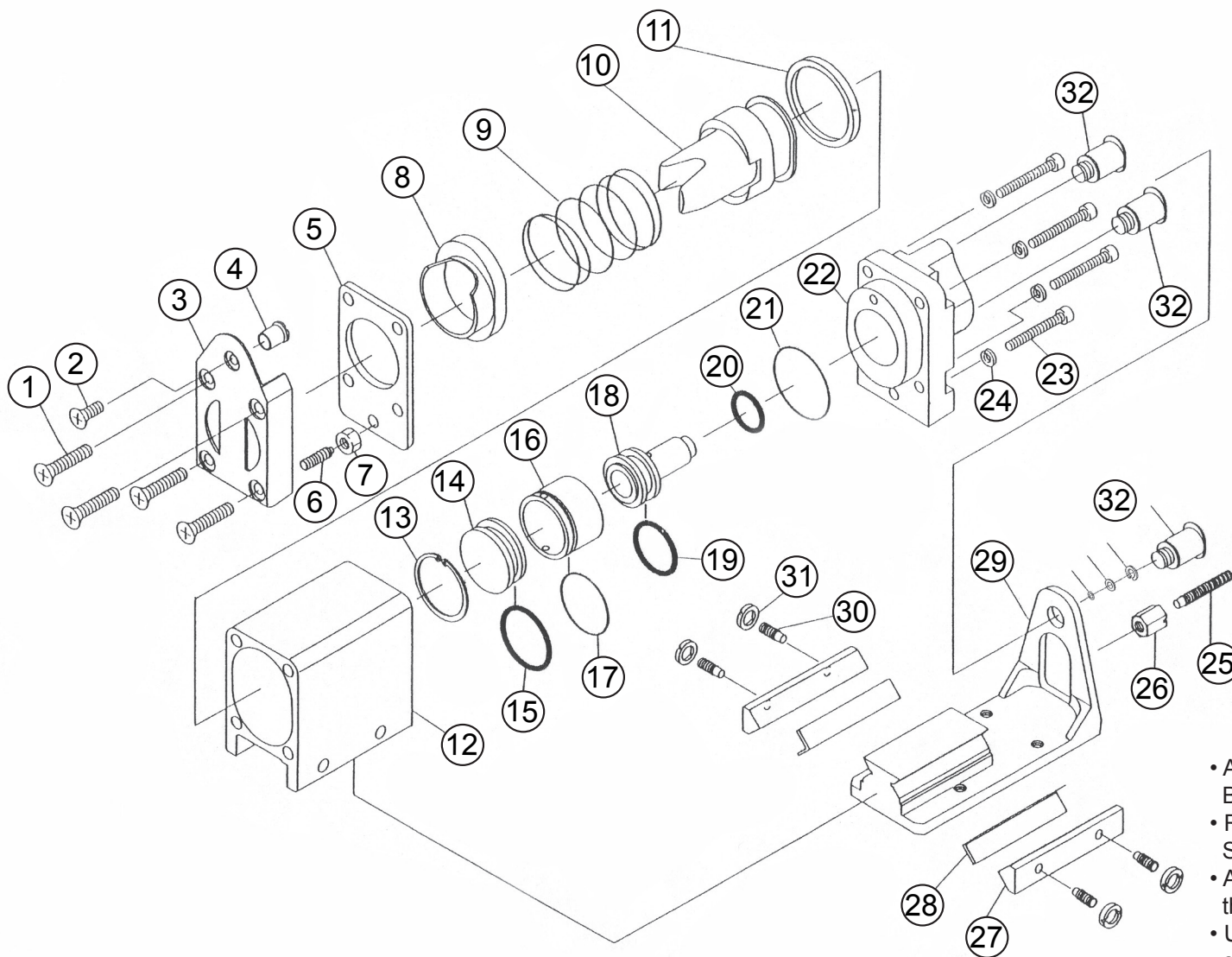
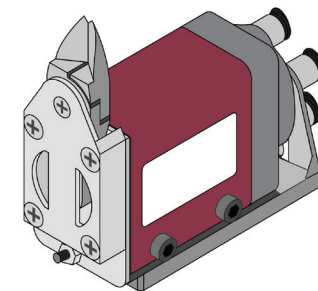


VESSEL[®] GT-NY10S "NINJA"

PROFESSIONAL TOOLS

EXPLODED DIAGRAM DRAWING & PARTS LIST



- Always use in a safe and appropriate manner. Blades can be easily damaged if used improperly.
- Recommended air pressure 60~80 PSI. Should not exceed 100 PSI.
- Always use this and all power tools with the appropriate gear (IE goggles, gloves, ect.)
- Use clean air. Excessive oil and moisture will compromise the life of tools.

Distributed By:
JDV Products, Inc.
 22-01 Raphael Street
 Fair Lawn, NJ 07410 USA



The **EXCLUSIVE** North American Distributor of **VESSEL**

WBENC Certified Woman Owned Small Business

www.vesseltools.com

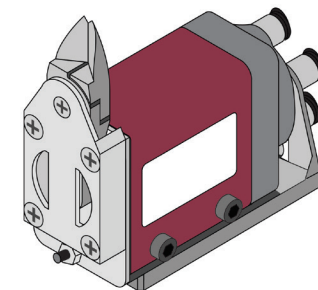
Tel: 201-796-1720
 Fax: 201-796-9399
www.vesseltools.com

Rev. 02/22/18
 Price Lists\Exploded Views\Nippers

VESSEL[®] GT-NY10S "NINJA"

PROFESSIONAL TOOLS

EXPLODED DIAGRAM DRAWING & PARTS LIST



REF #	EDP #	DESCRIPTION	JDV ORDER PART #	PRICE
1	853801	BLADE PLATE SCREW, M3.5*20	854101	\$1.59
2	853802	BLADE MOUNTING SCREW, M3*8	854102	\$1.36
3	853803	PLATE, BLADE	854103	\$23.56
4	853804	PIN, BLADE MOUNTING (8.75mm)	854104	\$7.71
5	853805	GUIDE PLATE	853805	\$19.03
6	853806	BOLT M4*12, SLIDE ADJUSTMENT(FRONT)	853806	\$1.84
7	853807	NUT, HEX (M4)(SLIDE ADJUSTMENT)	854128	\$1.00
8	853808	BUSHING, GUIDE PLATE	853808	\$31.71
9	853809	SPRING, MAIN	854108	\$2.95
10	853810	PISTON, MAIN	854109	\$27.21
11	853811	U-RING UH22-26-2.7	854110	\$10.88
12	853812	HOUSING	853812	\$99.66
13	853813	SNAP RING, RTW-19	853813	\$1.43
14	853814	STOPPER PLATE	853814	\$3.87
15	853815	O-RING S16, (STOPPER PLATE)	853815	\$1.65
16	853816	CYLINDER, STROKE	853816	\$18.14
17	853817	O-RING S0-006-21	853817	\$6.34

REF #	EDP #	DESCRIPTION	JDV ORDER PART #	PRICE
18	853818	PISTON, SLIDE	853818	\$12.68
19	853819	O-RING P12	853819	\$1.59
20	853820	O-RING P8	854120	\$1.24
21	853821	O-RING S0-007-14	853821	\$6.34
22	853822	CAP, SLIDE PISTON	853822	\$69.32
23	853823	HEX CAP BOLT, M3x20	854124	\$1.84
24	853824	WASHER, 3x6x0.5	854125	\$1.00
25	853825	BOLT M4*18, SLIDE ADJUSTMENT(REAR)	853825	\$2.06
26	853826	LOCKING NUT	853826	\$4.53
27	853827	SLIDE PLATE	853827	\$27.21
28	853828	SLIDE SHEET	853828	\$5.45
29	853829	SLIDE BASE	853829	\$81.55
30	853830	HEX BOLT, M4x8	853830	\$1.84
31	853831	SLIDE NUT	853831	\$3.17
32	853832	TUBE JOINT POC-4-M5M	854160	\$10.65
GT-NY10S		360731 / AIR NIPPER, "NINJA" SLIDING, DUAL ACTION "V" BL	GT-NY10S	\$396.00

Distributed By:
JDV Products, Inc.
 22-01 Raphael Street
 Fair Lawn, NJ 07410 USA



Tel: 201-796-1720
 Fax: 201-796-9399
www.vesseltools.com

The **EXCLUSIVE** North American Distributor of **VESSEL**

WBENC Certified Woman Owned Small Business

www.vesseltools.com

Rev. 02/22/18

Price Lists\Exploded Views\Nippers

A-16169