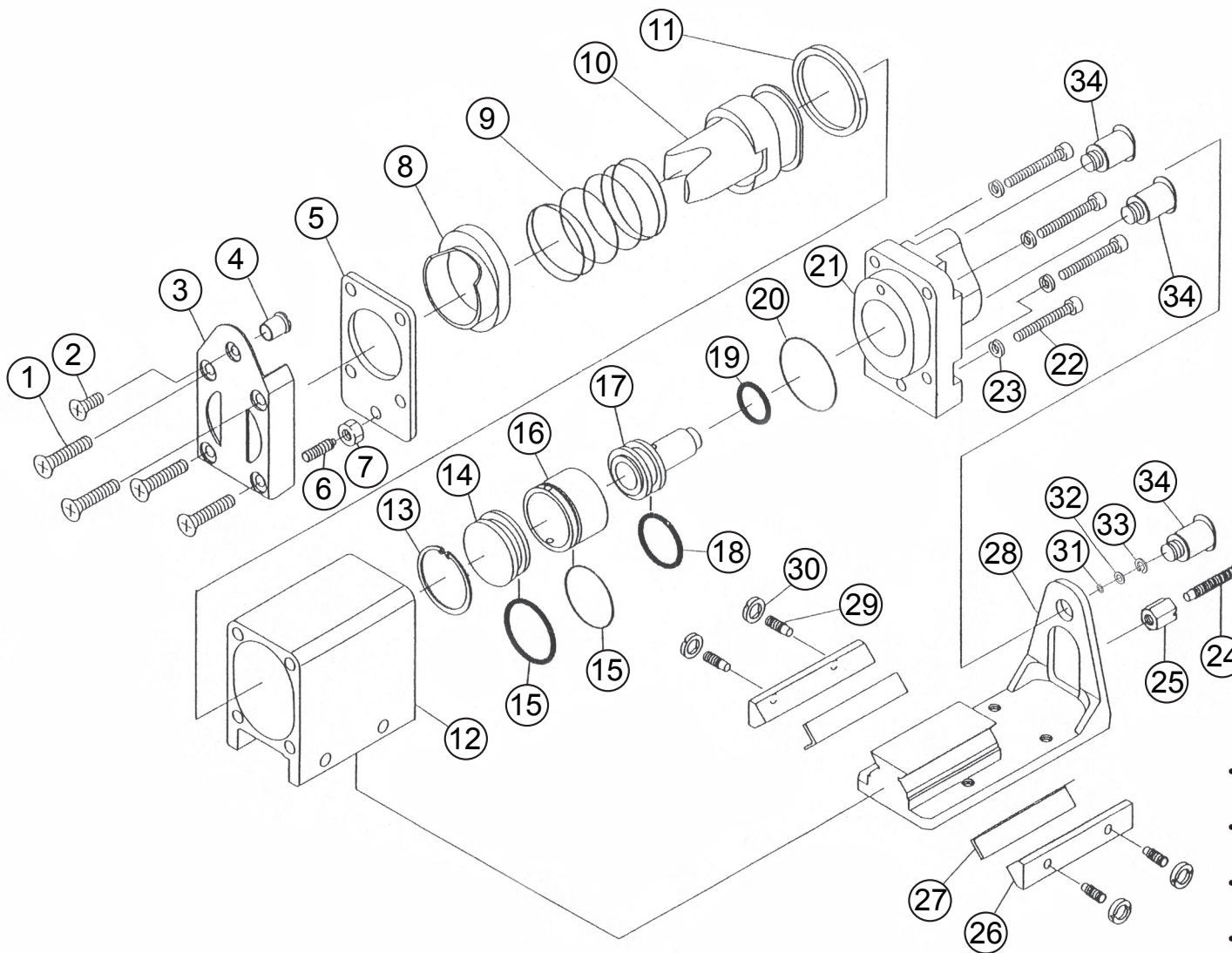
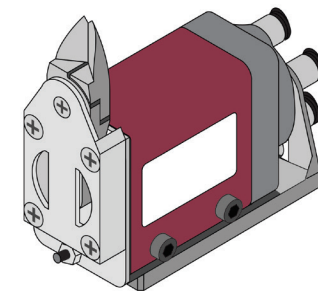


VESSEL[®] GT-NY25S "NINJA"

PROFESSIONAL TOOLS

EXPLODED DIAGRAM DRAWING & PARTS LIST



- Always use in a safe and appropriate manner. Blades can be easily damaged if used improperly.
- Recommended air pressure 60~80 PSI. Should not exceed 100 PSI.
- Always use this and all power tools with the appropriate gear (IE goggles, gloves, ect.)
- Use clean air. Excessive oil and moisture will compromise the life of tools.

Distributed By:
JDV Products, Inc.
 22-01 Raphael Street
 Fair Lawn, NJ 07410 USA



The **EXCLUSIVE** North American Distributor of **VESSEL**

WBENC Certified Woman Owned Small Business

www.vesseltools.com

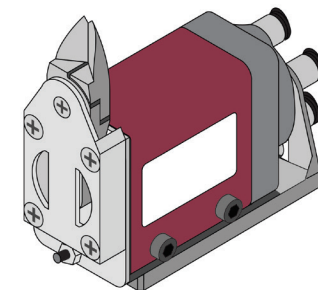
Tel: 201-796-1720
 Fax: 201-796-9399
www.vesseltools.com

Rev. 02/22/18
 Price Lists\Exploded Views\Nippers

VESSEL[®] GT-NY25S "NINJA"

PROFESSIONAL TOOLS

EXPLODED DIAGRAM DRAWING & PARTS LIST



REF #	EDP #	DESCRIPTION	JDV ORDER PART #	PRICE
1	853901	BLADE PLATE SCREW, M5*30	854301	\$2.06
2	853902	BLADE MOUNTING SCREW, M4*12	854302	\$1.84
3	853903	BLADE PLATE	854303	\$27.21
4	853904	PIN, BLADE MOUNTING	854304	\$9.07
5	853905	GUIDE PLATE	853905	\$22.67
6	853906	BOLT M5*15, SLIDE ADJUSTMENT(FRONT)	853906	\$2.50
7	853907	NUT, HEX (M5)(SLIDE ADJUSTMENT)	853907	\$1.00
8	853908	BUSHING, GUIDE PLATE	854307	\$37.16
9	853909	SPRING, MAIN	854308	\$3.42
10	853910	PISTON, MAIN	854309	\$33.55
11	853911	U-RING UH41-35-4.2	854310	\$13.60
12	853912	HOUSING	853912	\$108.73
13	853913	SNAP RING RTW-24	853913	\$1.84
14	853914	STOPPER PLATE	853914	\$4.53
15	853915	O-RING S20, (STOPPER PLATE)	853915	\$1.74
16	853916	CYLINDER, STROKE	853916	\$20.39
17	853917	PISTON, SLIDE	853917	\$14.52
18	853918	O-RING P16 GT-NY25S	853918	\$1.52

REF #	EDP #	DESCRIPTION	JDV ORDER PART #	PRICE
19	853919	O-RING P11	850413	\$2.04
20	853920	O-RING S0-007-15	853920	\$7.26
21	853921	CAP, SLIDE PISTON	853921	\$85.17
22	853922	HEX CAP BOLT, M5x20	854324	\$1.84
23	853923	WASHER, 5x10x1.0	854325	\$1.00
24	853924	BOLT M5*25, SLIDE ADJUSTMENT(REAR)	853924	\$2.73
25	853925	LOCKING NUT	853925	\$5.90
26	853926	SLIDE PLATE	853926	\$48.93
27	853927	SLIDE SHEET NTN-FL3030	853927	\$10.88
28	853928	SLIDE BASE	853928	\$108.73
29	853929	HEX BOLT, M5x12	853929	\$1.84
30	853930	SLIDE NUT	853930	\$4.09
31	853931	O-RING S0-030-8	853931	\$1.59
32	853932	COVER, O-RING	853932	\$4.53
33	853933	E-RING ETWJ-8	853933	\$1.00
34	853934	TUBE JOINT POC-6-M5M	854360	\$10.65
GT-NY25S		360732 / AIR NIPPER, "NINJA" SLIDING, DUAL ACTION "V" BL	GT-NY25S	\$493.00

Distributed By:
JDV Products, Inc.
 22-01 Raphael Street
 Fair Lawn, NJ 07410 USA



Tel: 201-796-1720
 Fax: 201-796-9399
www.vesseltools.com

The **EXCLUSIVE** North American Distributor of **VESSEL**

WBENC Certified Woman Owned Small Business

www.vesseltools.com

Rev. 02/22/18

Price Lists\Exploded Views\Nippers

A-16149