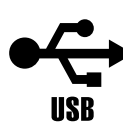


POWER X MANUAL DRIVEN

220USB



1/4
inch

3.6V
800mAh

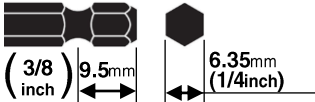


LED

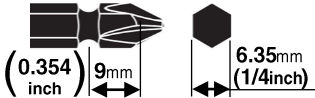
Li-ion

Applicable Bit Type

POWER BIT 1/4" Hex B



DOUBLE-ENDED BIT 1/4" Hex B



INCL. VESSEL IMPACT BALL™ Torsion Bit

YouTube

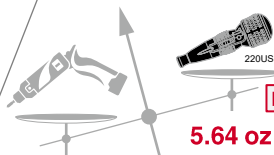
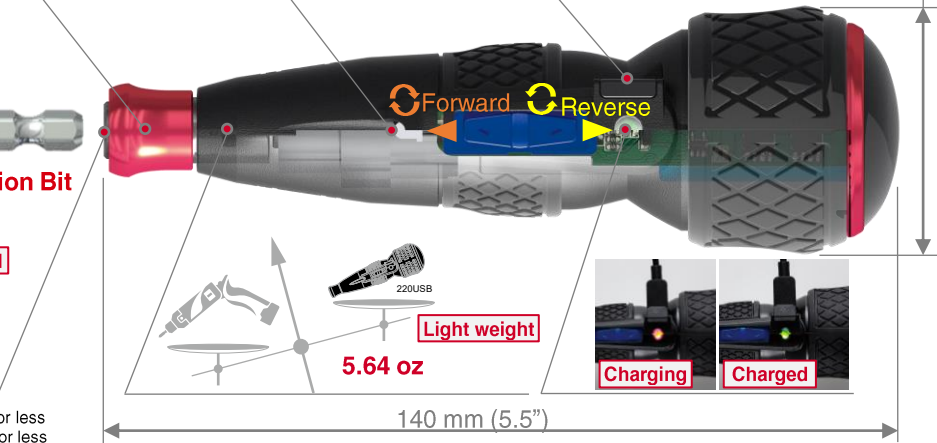


© Scan me ©

Balanced Torque & RPM



Torque range: Power 17.7 lbf-in or less
Manual 88.5 lbf-in or less



PACKAGE CONTENTS



Name	BALL GRIP Rechargeable Screwdriver	Charging Time	Approx. 60 min.
Model	220USB1U	Number of Rechargeable Times※	Approx. 500 times
Battery Capacity	Li-Ion 3.6V 800mAh	Continuous Use Time	Approx. 40 min. (no-load)
No-load RPM (max)	280 RPM	Number of Screw Tightening	Approx. 200 times (M4x20mm)
Torque (max)	17.7 lbf-in (2 N.m) [Power Driven]	Charging Method	Micro USB-type B, USB charging
Applicable Torque	88.5 lbf-in (10 N.m) [Manual Driven]	Input (max)	5V 1A
Sleeve	Aluminum sleeve chuck with ball lock	Weight (Accessories not included)	5.64 oz
Applicable Bit	1/4" Hex, Single-End or Double Ended Bit	Operation / Charging Environment	14F-113F / 32F-104F
Battery Charger	Input 100-240VAC, 50/60Hz Output 5V 1A	※Actual battery lifetime may vary, depending on the use conditions and storage conditions. ※Battery cannot be replaced.	

Code	Description	Accessories	Warranty
220USB1U	BALL GRIP Rechargeable Screwdriver	<ul style="list-style-type: none"> IMPACT BALL Torsion Bit +2 x 90mm (3 1/2") USB Charging Cable (3 ft) 	3 Months