

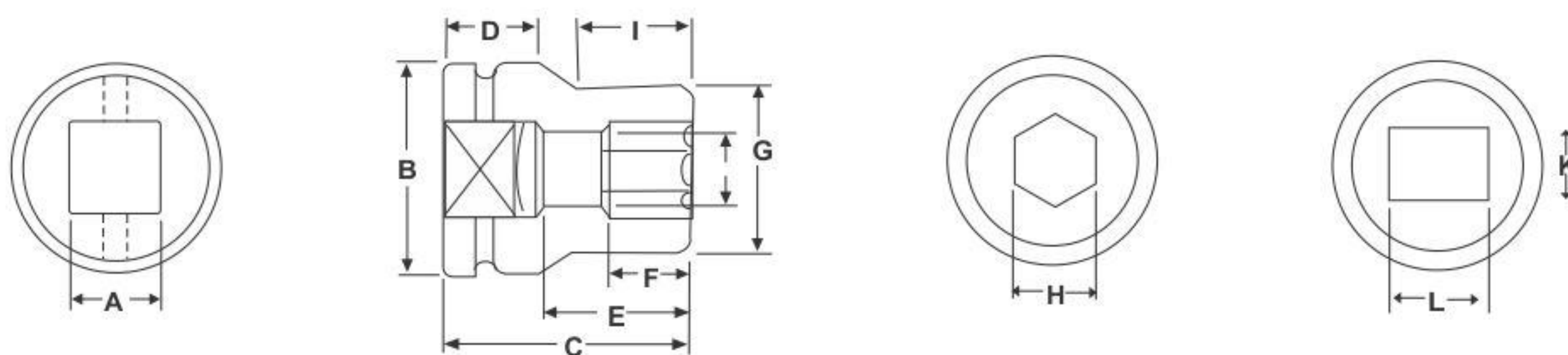
Specify Driver Opening Type (Check One)

- | | | | | | |
|-------------------------------------|-------------------------------------|-------------------------------------|--|--|--------------------------------|
| | | | | | |
| <input type="checkbox"/> Single Hex | <input type="checkbox"/> Single Hex | <input type="checkbox"/> Double Hex | <input type="checkbox"/> Single Square | <input type="checkbox"/> Double Square | <input type="checkbox"/> Other |

Specify Socket Type (Check One)

- | | | | |
|---------------------------------|---------------------------------|---------------------------------|---------------------------------|
| | | | |
| <input type="checkbox"/> TYPE A | <input type="checkbox"/> TYPE B | <input type="checkbox"/> TYPE C | <input type="checkbox"/> TYPE D |

Specify Critical Dimensions, if necessary. (Leave Blank for default)



A	SQUARE DRIVE _____	G	OUTSIDE DIAMETER SOCKET END _____
B	OUTSIDE DIAMETER SQ. END _____	H	ACROSS FLATS SIZE _____
C	OVERALL LENGTH _____	I	TAPER DEPTH _____
D	SHOULDER LENGTH _____	J	BOLT CLEARANCE DIAMETER _____
E	BOLT CLEAR DEPTH _____	K/L	REC SIZE _____
F	MIN DEPTH OF SOCKET FORM _____		OTHER INFO _____